



topcoilsite.com

TUBING SPINNER 25 TON Operators Manual



558-501-500
2-7/8 inch

558-501-600
3-1/2 inch

Content	Page
Trico Customers	2
Assembly Drawing	3
Operation	4

Document: M7
Revision: C
Printed: April 2026
Author: Jordan Simpson

Thank-you for choosing Trico. We at Topco Oilsite Products design and build Trico equipment with you, the customer in mind.

To help ensure trouble-free operation of your equipment, read this manual carefully and follow its recommendations.

An authorized Topco facility knows your equipment best. So, when maintenance or service is necessary, that's the place to go.



General Cautions and Warnings

Maximum working load indicates the greatest force or load a product can carry under usual environmental conditions. Shock loading and extraordinary conditions will reduce the maximum working load rating. The maximum working load rating may also be affected by wear, misuse, overloading, corrosion, deformation, intentional alteration, and other use conditions.

Regular inspection shall be conducted to determine whether use can be continued at the maximum working load rating, a reduced maximum working load rating, or whether the product shall be withdrawn from service.

Important Notes About This Manual

All specifications and descriptions are accurate at the time of printing. Because continuous improvement is a goal at Topco, we reserve the right to make changes in specifications at any time without notice and without obligation.

Please be aware that this manual applies to all models, equipment, and options. As a result, you may find some explanations not applicable to your equipment.

Quality

If you have any questions, concerns, or feedback regarding the quality of our products and services please contact us.

Safety

Ensure equipment is operated in accordance with all government, regulatory and employer requirements.

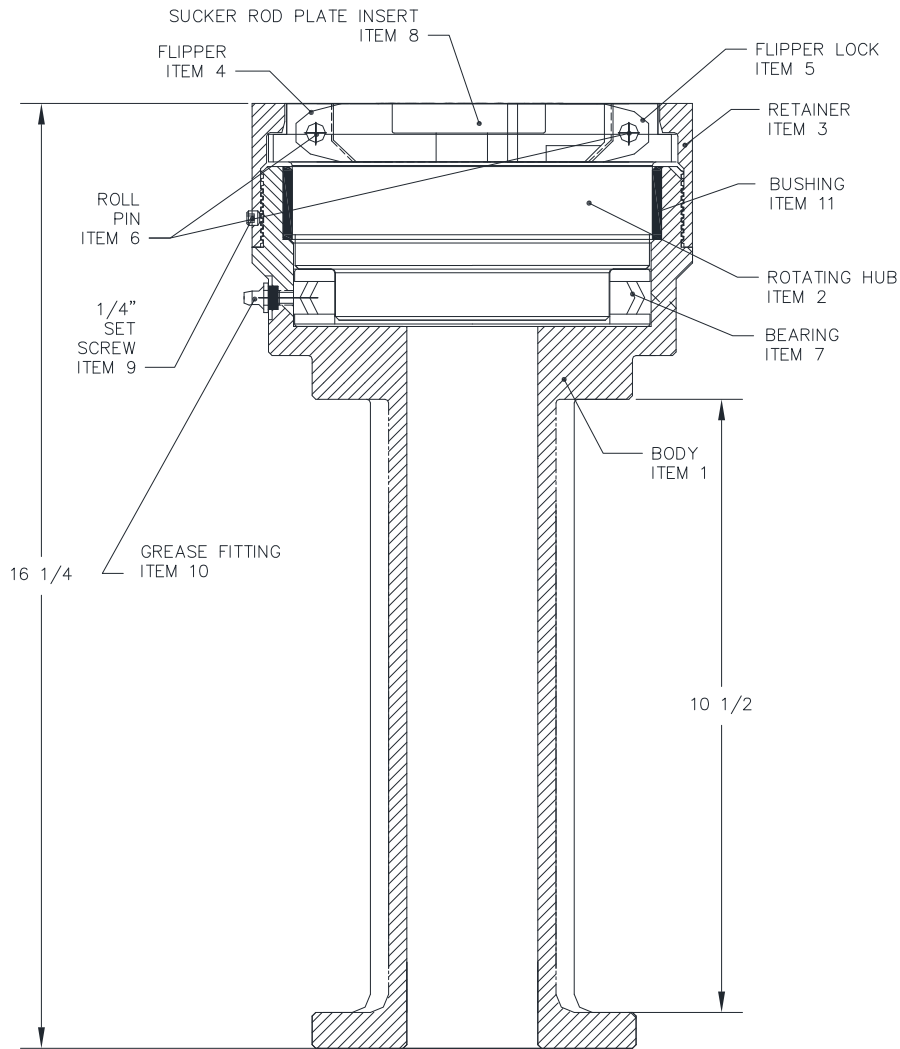
Markings



This symbol in the manual means "Do not let this happen."



This symbol means failure to comply may result in damage or injury.



ITEM	PART N°
1	558-501-501 558-501-601
2	558-501-502
3	558-501-503
4	558-501-504
5	558-501-505
6	5/16"
7	558-501-507
8	REGULAR
9	1/4" NC
10	558-578-700
11	558-501-509



WARNING: Failure to follow these directions could result in damage or injury.

- ▶ Never weld, grind, or modify in any way.
- ▶ Only use Trico Original Equipment Manufacturer ("OEM") replacement parts.
- ▶ Never operate without grease or if the bearing or threads are damaged and rotation is impeded.
- ▶ Never exceed the maximum working load of the Spinner.



New Equipment Specifications

- ▶ Maximum Working Load: 25 short tons (50,000 lbs).

Before Each Use

- ▶ Ensure the stem freely rotates in both directions, and is tightly secured to the body.
- ▶ Ensure the bearing is lubricated for every 8 hours of operation using a NLGI certified grease meeting GC-LB standards.
- ▶ Check the condition of the bearing. *High rotational speeds and heavy operating loads reduce bearing life.*
- ▶ Replace the bearing if it is damaged or rotation is impeded.
- ▶ Check the threads for damage.

Contact Information

Canada & International

Toll free: 1 800 222 6448
Edmonton: 780 436 3400
ContactUs@TopcoOilsite.com
TopcoOilsite.com



USA

Permian Basin: 432 296 7040
ContactUs@TopcoOilsite.com
TopcoOilsite.com

